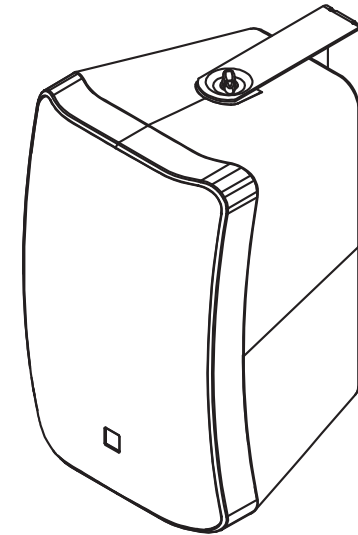


# **COLUMN ARRAY SPEAKERS**

## **User's Manual**



**NWB-3/NWB-3W**

**NWB-5/NWB-5W**

**NWB-8/NWB-5W**



## TECHNICAL SPECIFICATIONS

Model Passive	NWB-3/NWB-3W	NWB-5/NWB-5W
System Type	2-Way 3" Passive Speaker Cabinet	2-Way 5" Passive Speaker Cabinet
Transducer Low	3" Ferrite Woofer-1.0" V.C 8Ω/20W	5" Ferrite Woofer-1.0" V.C 8Ω/40W
Transducer High	0.8" V.C, Neodymium Tweeter	1.0" V.C, Neodymium Tweeter
Input Voltage	70V / 100V	70V / 100V
Transformer Selectable Power	2.5W / 5W / 10W / 20W	5W / 10W / 20W / 40W
System Impedance	70V _ 2000Ω / 1000Ω / 500Ω / 250Ω_Bypass	70V _ 1000Ω / 500Ω / 250Ω / 125Ω_Bypass
	100V _ 4000Ω / 2000Ω / 1000Ω / 500Ω_Bypass	100V _ 2000Ω / 1000Ω / 500Ω / 250Ω_Bypass
Sensitivity (1w/1M)	85dB	87dB
Frequency Response	150Hz-20kHz (-10dB)	120Hz-20kHz (-10dB)
Connect	Cable Conductor	Cable Conductor
Enclosure Construction	Trapezoidal shape/ Wall bracket capability / Injection-molded ABS with perforated steel grille.	
Mounting	2*M6 Points for Mounting , 4*M5 Threaded Sockets in Back	
Dimensions(H×W×D)	8.6"(220mm) x 5.3"(134.3mm) x 5.4"(136.4mm)	10.9"(278mm) x 6.7"(170.5mm) x 6.8"(172mm)
Net weight	2.1Kg / 4.63 lbs	3.1Kg / 6.83 lbs

Model Passive	NWB-8/NWB-8W
System Type	2-Way 8" Passive Speaker Cabinet
Transducer Low	8" Ferrite Woofer-1.2" V.C 8Ω/80W
Transducer High	1.0" V.C, Neodymium Tweeter
Input Voltage	70V / 100V
Transformer Selectable Power	10W / 20W / 40W / 80W
System Impedance	70V _ 500Ω / 250Ω / 125Ω / 62Ω_Bypass
	100V _ 1000Ω / 500Ω / 250Ω / 125Ω_Bypass
Sensitivity (1w/1M)	89dB
Frequency Response	80Hz-20kHz (-10dB)
Connect	Cable Conductor
Enclosure Construction	Trapezoidal shape/ Wall bracket capability / Injection-molded ABS with perforated steel grille.
Mounting	2*M6 Points for Mounting , 4*M5 Threaded Sockets in Back
Dimensions(H×W×D)	16.0"(406mm) x 9.8"(250mm) x 10.0"(251mm)
Net weight	6.4Kg / 14.1 lbs

## INDEX

<b>01 SAFETY RELATED SYMBOLS</b> .....	<b>1</b>
<b>02 WARNING</b> .....	<b>1</b>
<b>03 INTRODUCTION</b> .....	<b>3</b>
<b>04 INSTALLATION</b> .....	<b>4</b>
<b>05 BACK PANEL DESCRIPTION</b> .....	<b>5</b>
<b>06 SYSTEM CONNECTION PLATE</b> .....	<b>6</b>
<b>07 TECHNICAL SPECIFICATIONS</b> .....	<b>7</b>

### IMPORTANT!

Please read this manual carefully before operating this unit for the first time.

All rights reserved to SEIKAKU. All features and content might be changed without prior notice. Any photocopy, translation, or reproduction of part of this catalogue without written permission is forbidden. Copyright © 2009 SEIKAKU GROUP

## SAFETY RELATED SYMBOLS



The symbol is used to indicate that some hazardous live terminals are involved within this apparatus, even under the normal operating conditions.



The symbol is used in the service documentation to indicate that specific component shall be only replaced by the component specified in that Documentation for safety reasons.



Protective grounding terminal.



Alternating current /voltage.



Hazardous live terminal.

ON: Denotes the apparatus turns on.

OFF: Denotes the apparatus turns off, because of using the single pole switch, be sure to unplug the AC power to prevent any electric shock before you proceed your service.

**WARNING:** Describes precautions that should be observed to prevent the danger of injury or death to the user.



Disposing of this product should not be placed in municipal waste and should be separate collection.

**CAUTION:** Describes precautions that should be observed to prevent danger of the apparatus.

## WARNING

### • Power Supply

Ensure the source voltage matches the voltage of the power supply before turning ON the apparatus.

Unplug this apparatus during lightning storms or when unused for long periods of time.

### • External Connection

The external wiring connected to the output hazardous live terminals requires installation by an instructed person, or the use of ready-made leads or cords.

### • Do not Remove any Cover

There are maybe some areas with high voltages inside, to reduce the risk of electric shock, do not remove any cover if the power supply is connected.

The cover should be removed by the qualified personnel only.

No user serviceable parts inside.

### • Fuse

To prevent a fire, make sure to use fuses with specified standard (current, voltage, type). Do not use a different fuse or short circuit the fuse holder.

Before replacing the fuse, turn OFF the apparatus and disconnected the power source.

### • Protective Grounding

Make sure to connect the protective grounding to prevent any electric shock before turning ON the apparatus.

Never cut off the internal or external protective grounding wire or disconnect the wiring of protective grounding terminal.

### • Operating Conditions

This apparatus shall not be exposed to dripping or splashing and that no objects filled with liquids, such as vases, shall be placed on this apparatus.

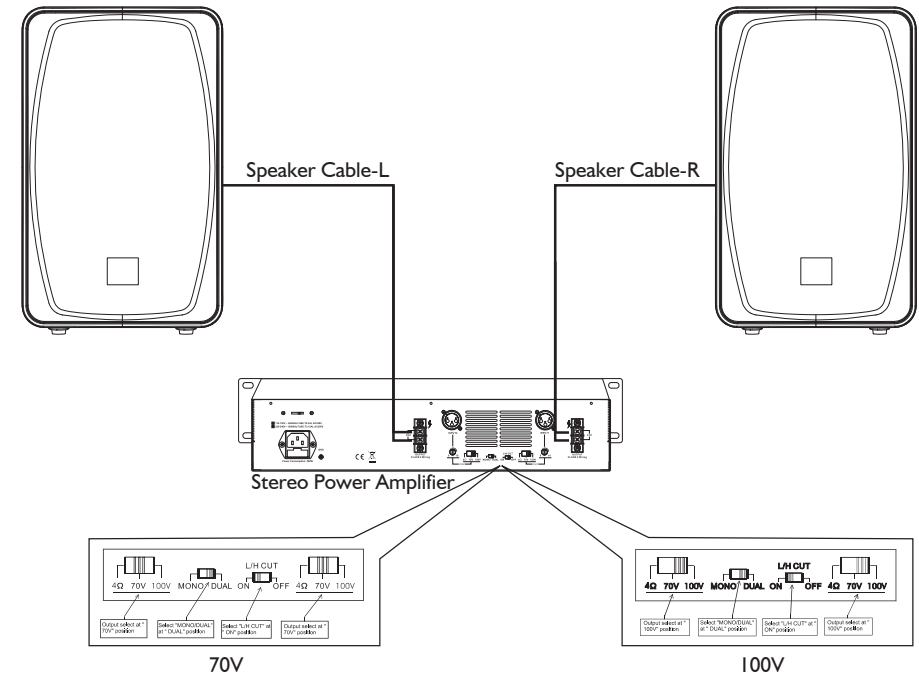
## SYSTEM CONNECTION PLATE

CHI/CH2 loaded with 70V, dual channel input:

1. Select "MONO/DUAL" at "DUAL" position, dual channel input;
2. CHI/CH2 output select at "70V" position, both loaded with rated 70V speaker;
3. Select "L/H CUT" at "ON" position, to prevent low frequency protection and improve the transmission efficiency. Applicable to Public Address System.

CHI/CH2 loaded with 100V, dual channel input:

1. Select "MONO/DUAL" at "DUAL" position, dual channel input;
2. CHI/CH2 output select at "100V" position, both loaded with rated 100V speaker;
3. Select "L/H CUT" at "ON" position, to prevent low frequency protection and improve the transmission efficiency. Applicable to Public Address System;



## BACK PANEL DESCRIPTION

### POWER SELECTIONS

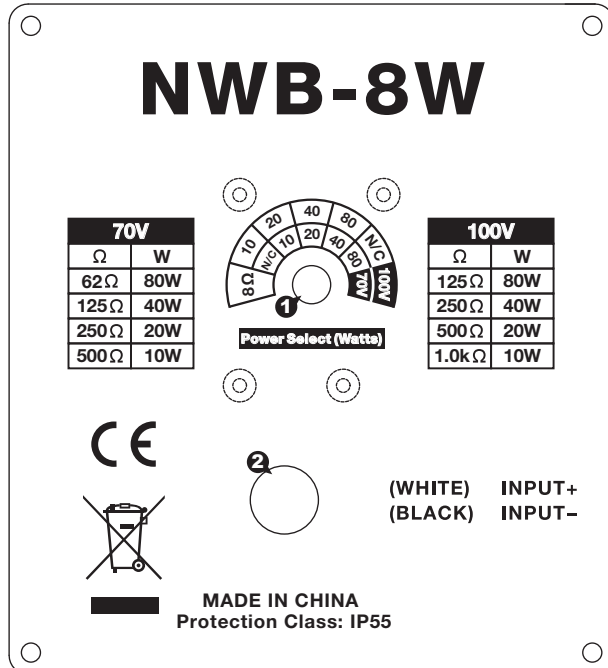
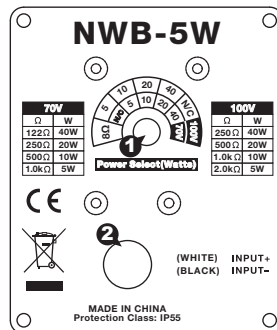
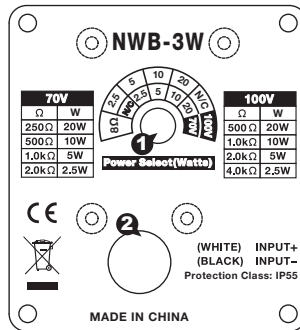
#### (1) Input Connection

The Positive connection is usually marked with(+)White cable,Use it to connect the amplifier output(+).

The Negative connection is usually marked with(-)Black cable,Use it to connect the amplifier output(-).

#### (2) Power Selections

With this rotary switch, it is possible to select the power level of the NWB Series from minimum to maximum, for two different Constant Voltages 70V or 100V. In Off position the speaker system is disconnected from the Line.



To reduce the risk of fire or electric shock, do not expose this apparatus to rain or moisture.

Do not use this apparatus near water. Install in accordance with the manufacture-r's instructions. Do not install near any heat sources such as radiators, heat registers, stoves, or other apparatus (including amplifiers) that produce heat. Do not block any ventilation openings.

No naked flame sources, such as lighted candles, should be placed on the apparatus.

## IMPORTANT SAFETY INSTRUCTIONS

- Read these instructions.
- Follow all instructions.
- Keep these instructions.
- Heed all warnings.
- Only use attachments/accessories specified by the manufacturer.

### • Power Cord and Plug

Do not defeat the safety purpose of the polarized or grounding type plug.

A polarized plug has two blades with one wider than the other. A grounding type plug has two blades and a third grounding prong. The wide blade or the third prong are provided for your safety. If the provided plug does not fit into your outlet, consult an electrician for replacement of the obsolete outlet.

Protect the power cord from being walked on or pinched particularly at plugs, convenience receptacles, and the point where they exit from the apparatus.

### • Cleaning

When the apparatus needs a cleaning, you can blow off dust from the apparatus with

a blower or clean with rag etc.

Don't use solvents such as benzol, alcohol, or other fluids with very strong volatility and flammability for cleaning the apparatus body. Clean only with dry cloth.

### • Servicing

Refer all servicing to qualified personnel. To reduce the risk of electric shock, do not perform any servicing other than that contained in the operating instructions unless you are qualified to do so .

Servicing is required when the apparatus has been damaged in any way , such as power supply cord or plug is damaged , liquid has been spilled or objects have fallen into the apparatus, the apparatus has been exposed to rain or moisture , does not operate normally, or has been dropped.

The mains plug is used as the disconnect device, the disconnect device shall remain readily operable.

Please read the instructions in details before you use, and follow the contents to do the most proper installation. After you have made the proper installation, please keep this instruction well for your references at any time.

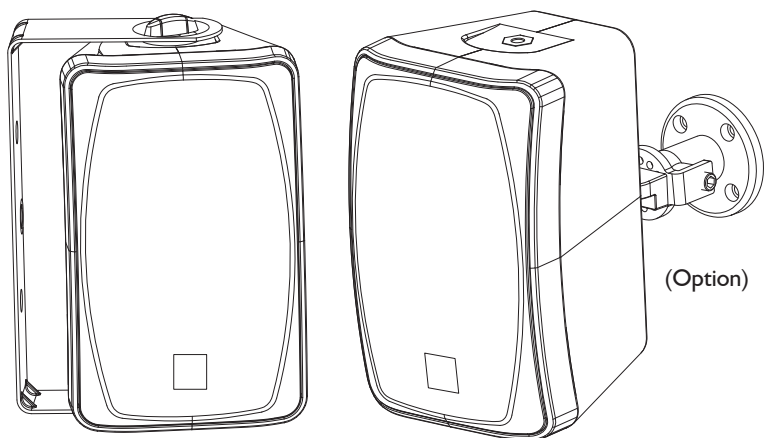
If you would like to do any changes for the installation regarding this product, please must make sure if the specifications are correct or not. Otherwise, the incorrect installation will probably result in the permanent damage to this product, therefore, please use it with cautions.

#### Cautions:

1. Absolutely not to do the installation that exceeds the specifications of this products because it will result in affecting the life and the capacity with regard to this product.
2. Keep away from the place that wets in rain directly if installing at outside.
3. Do not clean the appearance of the column speaker with an organic solvent or alcoholic detergent.
4. Do not repair or disassemble the product yourself if there is any damage or unusual situation, please should contact the person in charge of service immediately.

## INTRODUCTION

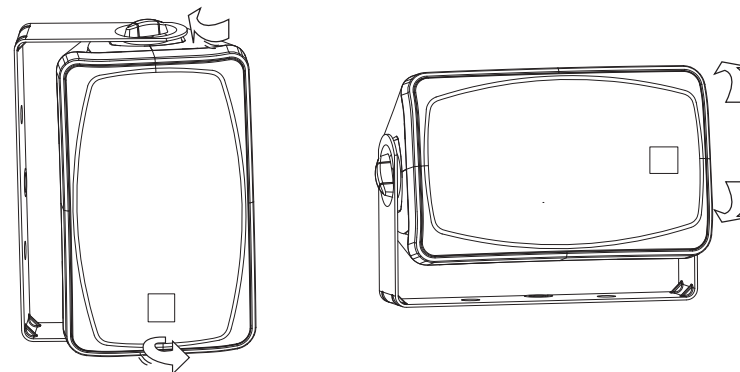
NWB Series is a professional column array speaker developed . With 1.0mm mesh and 1.0mm grille, it can effectively protect unit from external damage and prevent dust into the speaker. Cabinet is made by aluminum alloy with coating, to make delicate touch. steel .The system apply power transformers to switch power, effectively protect the units. To prevent high power input signal damage units, they can be used in parallel to avoid causing damage to the PA amplifier with low impedance. Locked bracket screws to fixed plate inside cabinet. The fixing plate with 3 mm thick iron can effective decompose the bracket pull force.



## INSTALLATION

- 1) Make sure the expansion screws of mounting brackets can firmly support the product weight before installation to avoid causing the injuries of the facilities and a worker if there is a falling.
- 2) Make sure the bracket is installed in vertical position and install expansion screw in the identified location.
- 3) Lock the bracket (in attached) to the wall enough tightly and ensure it's vertical between bracket and wall.
- 4) Remove the 2\*M6/or 4\*M5 screws on back of speaker and fix it to the racket via the screws ( in attached). Please make the column straight and firmly locked.
- 5) Adjust the speaker to appropriate angle with bracket adjustable  $-90^{\circ} \sim 90^{\circ}$  for U bracket.
- 6) Please first confirm the system you connected output of 100V, 70V. And make the cables connected.

#### • U bracket angle control ( $-90^{\circ} \sim 90^{\circ}$ )



#### • Y bracket(angle horizon $-90^{\circ} \sim 90^{\circ}$ , angle vertical $-70^{\circ} \sim 70^{\circ}$ )

